

**THORN**  
LIGHTING



# XETARO

ATEX certified for use in combustible environments



**WE  
MAKE  
LIGHT  
WORK**

# TOUGH LIGHTING FOR COMBUSTIBLE ENVIRONMENTS

## ATEX CERTIFIED FOR USE IN EXPLOSIVE GAS AND DUST ATMOSPHERES

When it comes to safety in hazardous environments, ATEX – short for “ATmosphères EXplosibles – is essential. To ensure safety and compliance, it is crucial to consider factors such as the nature of the explosive atmosphere, the specific ATEX zone, and the lighting equipment’s characteristics.

Choosing the wrong lighting in these areas could lead to a dangerous spark or heat, risking the ignition of vapours, gases, or dust. Therefore, all luminaires used in ATEX zones must be ATEX certified for explosive atmospheres.

Enter the Xetaro luminaire, meticulously crafted for environments where ignition hazards from gas, dust, and combustible fumes exist. Certified for Zones 2/22, with IP66 ingress protection against dust, dirt and moisture, plus an IK10 impact resistance rating, Xetaro is your reliable lighting solution.



Industry



Food  
Manufacturing



Workshop  
Areas



Industrial  
Manufacturing



# XETARO

## UNMATCHED SAFETY AND EFFICIENCY IN EXPLOSIVE ENVIRONMENTS

### **ZONE 2 AND ZONE 22, CATEGORY 3 ATEX CERTIFIED**

Specifically designed for tough environments, ensuring compliance with the highest safety standards.

### **UNMATCHED PROTECTION**

The IP66 rating defends against dust, dirt and water ingress, guaranteeing durability.

### **ROBUST DESIGN**

With a tough IK10 certified body, it withstands up to 20 joules of impact, making it resilient in demanding conditions.

### **QUALITY CONSTRUCTION**

Engineered from high-grade polycarbonate, featuring a translucent diffuser and stainless steel clips with tamper-resistant screws.

### **FLEXIBLE INSTALLATION OPTIONS**

Quick-fit surface mounting clips and cable hooks, optional suspension cables and chains facilitate easy setup. 3 and 5-wire cable feed connector can be specified at order to allow for through-wiring. An optional side-bracket facilitates wall mounting and a metal cage can protect from mechanical damage.

### **OPTIMAL PERFORMANCE**

Up to 157 lm/W and 11,000 lumen output provides excellent efficiency and light output, added to CRI80 colour rendering and a 4000 K colour temperature.

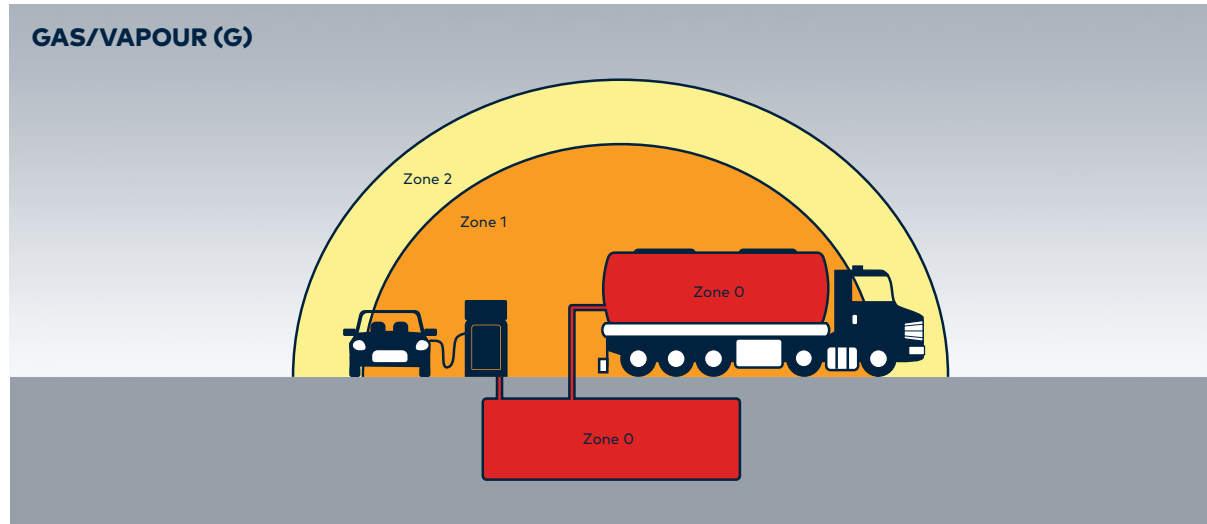
### **EMERGENCY READINESS**

3-hour lithium-ion emergency options ensure reliability during unexpected power outages.

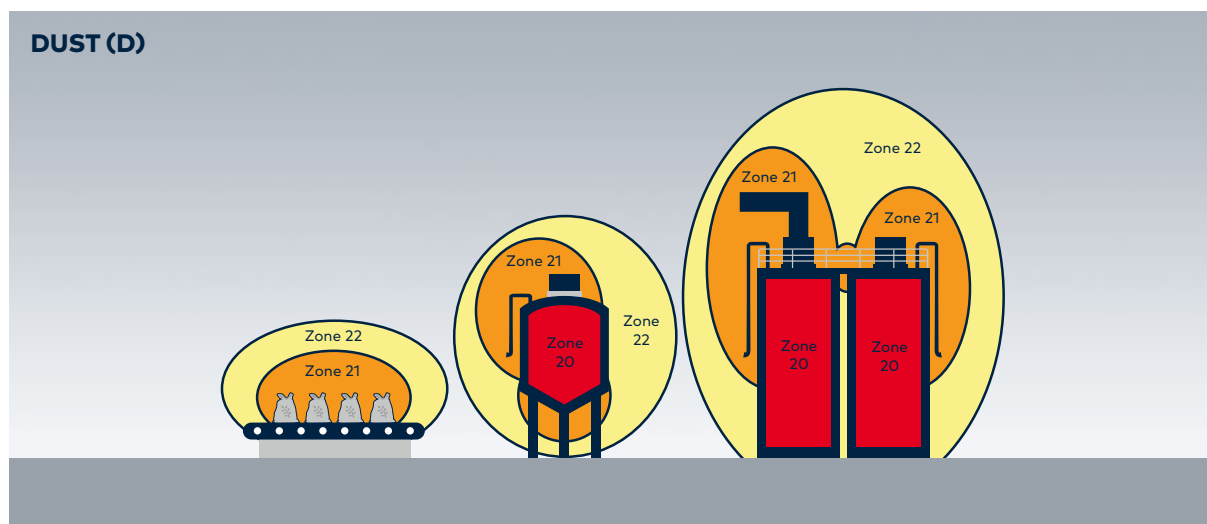


# ATEX ZONES

Xetaro has been designed for use in environments where there is a risk of explosion of gases, dust and flammable vapours. Suitable for Zone 2 (gases) and Zone 22 (dust) – designed for occasional or short-term presence in explosive atmospheres.



ATEX Zone	Type	Risk Level	Description
Zone 0	Gas/Vapour (G)	High	Explosive gas present continuously or for long periods
Zone 1	Gas/Vapour (G)	Medium	Explosive gas likely to occur during normal operation
Zone 2	Gas/Vapour (G)	Low	Explosive gas unlikely, and if it does occur, it is short-term



ATEX Zone	Type	Risk Level	Description
Zone 20	Dust (D)	High	Explosive dust present continuously or for long periods
Zone 21	Dust (D)	Medium	Explosive dust likely to occur during normal operation
Zone 22	Dust (D)	Low	Explosive dust unlikely, and if it does occur, it is short-term

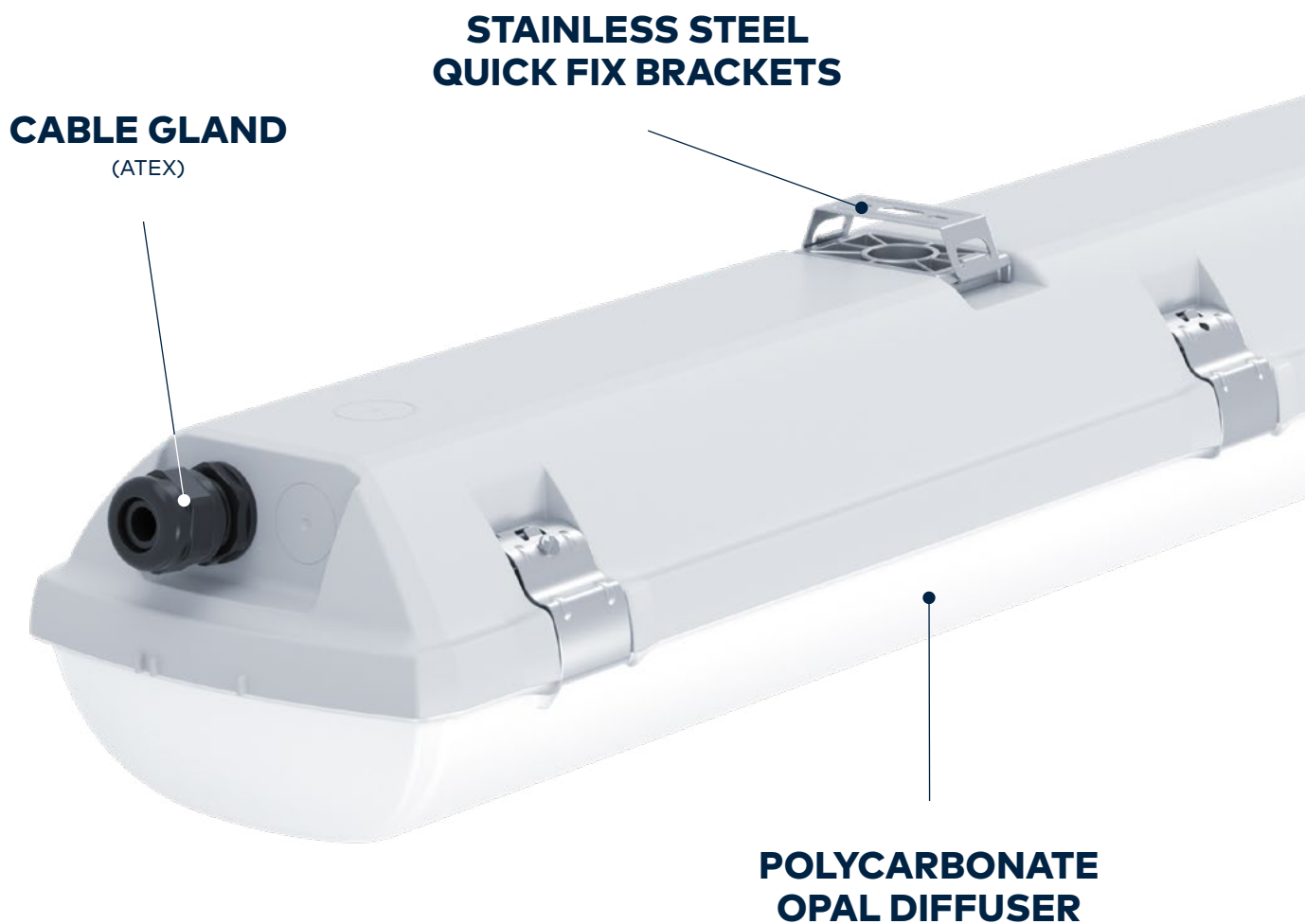
# ATEX CERTIFIED LUMINAIRE

## FOR CATEGORY 3, ZONE 2/22

Thorn's new ATEX luminaire is a versatile lighting solution suitable for various applications in potentially explosive areas.

Xetaro is well-suited for the automotive and energy sectors, e.g. fuel storage facilities and car paint shops, as well as chemical manufacturing plants and power stations that use biomass pellets in energy production.

Additionally, Xetaro is ideal for metal, wood, paper, and textile processing plants, as well as food and beverage facilities such as breweries and grain and flour mills.

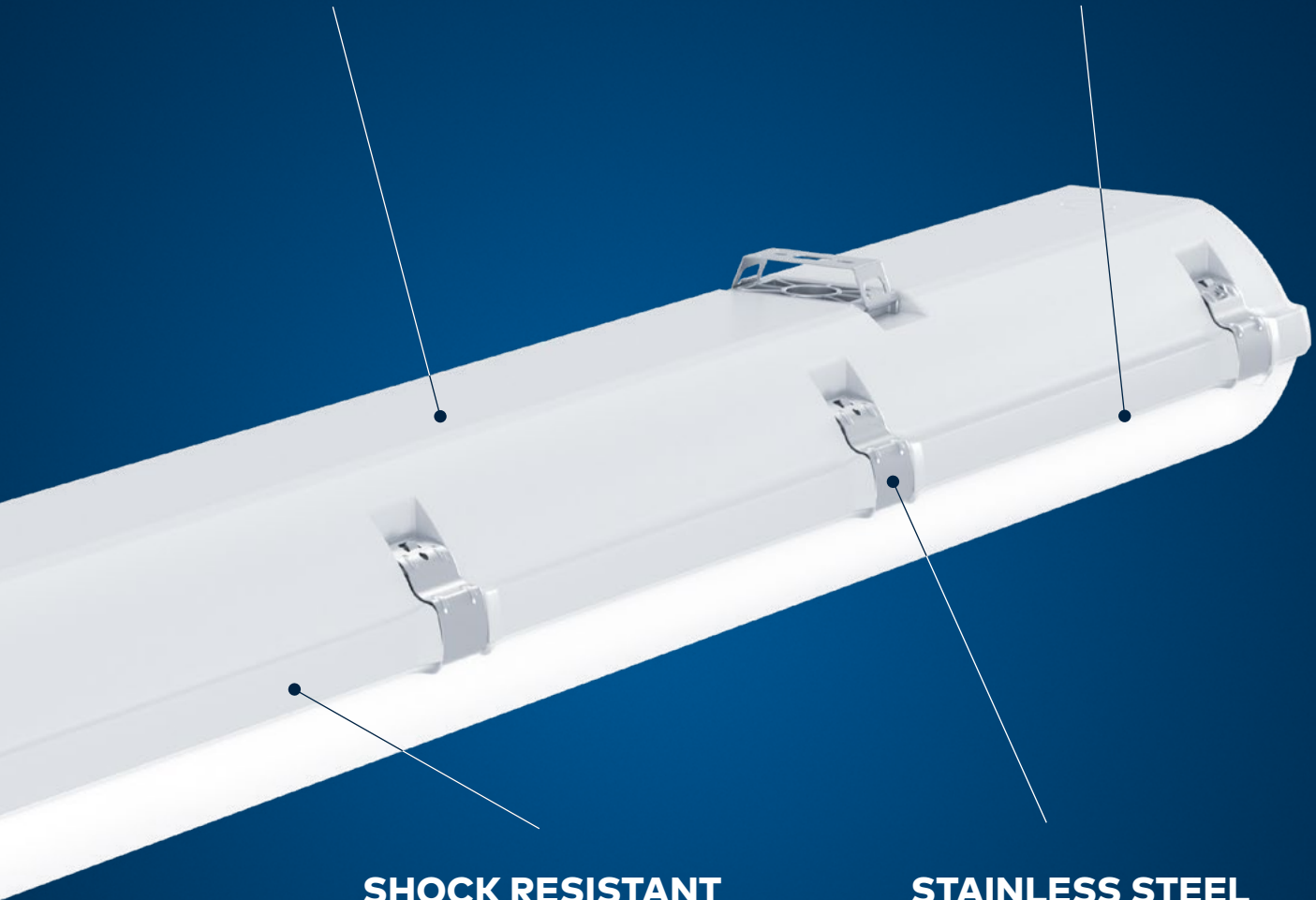


## POLYCARBONATE CASING

(RAL 7035)

## DUST-TIGHT AND WATERPROOF SEAL

(IP66 certified)



## SHOCK RESISTANT CASING



(IK10 certified)

## STAINLESS STEEL TAMPER-RESISTANT LOCKING CLIPS

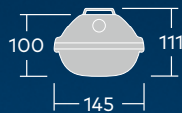
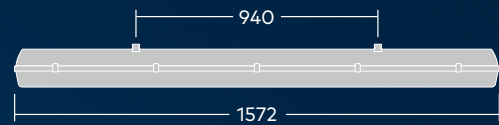
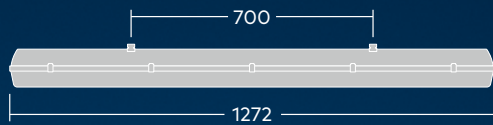


Mandatory symbol for ATEX certified electrical equipment intended for use in potentially explosive atmospheres.

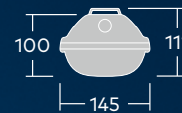
### XETARO IS CERTIFIED FOR THE FOLLOWING ENVIRONMENTS

Gases:  II 3G Ex nR IIC T6 Gc  
Dust:  II 3D Ex tc IIIC T70°C Dc

# XETARO



MEDIUM



LARGE

	Polycarbonate opal diffuser	
	4000 K	
	4400 lm, 6400 lm	5500 lm, 8100 lm, 11,000 lm
	Up to 157 lm/W	
<b>CRI</b>	80	
<b>UGR</b>	< 25	
	IP66	
	-25 °C to 55 °C (Emergency 0 °C to 50 °C)	
	IK10	
<b>ATEX</b>	ATEX Zone 2/22, Certified for the following environments: Gases: II 3G Ex nR IIC T6 Gc and Dust: II 3D Ex tc IIIC T70°C Dc	
	L90 50,000 hrs @ 25 °C	
	WB (Wide Beam)	
	Surface or ceiling mount, hooks for catenary cable mount. Tamper-resistant locking clips	
	White body and Opal diffuser	
	Fixed Output (HF), Dimmable (HFI)	
	E3	
	MacAdam 3	



As a globally leading luminaire manufacturer, Thorn Lighting provides a five-year warranty for its complete product range within all European Countries.  
thornlighting.com/guarantee

Thorn Lighting is constantly developing and improving its products. All descriptions, illustrations, drawings and specifications in this publication present only general particulars and shall not form part of any contract. The right is reserved to change specifications without prior notification or public announcement. All goods supplied by the company are supplied subject to the company's General Conditions of Sale, a copy of which is available on request. All measurements are in millimetres and weights in kilograms unless otherwise stated.  
01/2025 (INT)

**WE  
MAKE  
LIGHT  
WORK**