

THORN

PopPackPro

The professional's choice.
Faster. Simpler. Better.



PopPackPro

Faster. Simpler. Better.

Packed full of proven and innovative features, the PopPackPro sets new industry highs for batten lighting

New PopPackPro raises the bar for batten lighting. Quick and intuitive to install and simple to upgrade, it uses the very latest high-frequency (HF) technology for instant light.

PopPackPro is a solution that addresses the twin concerns of cost and quality. Ease and simplicity of installation reduce up front costs for the installer by significantly reducing installation time; energy saving HF technology drives down running costs for the end user; all underpinned by the build quality guaranteed in a Thorn product.

Although it's a very economical solution, PopPackPro is elegant to look at so you'll have no worries about installing it in the most visible, public areas of commercial and educational buildings as well as more traditional applications such as warehouses and domestic environments - finally there is an energy efficient solution that delivers back of house value but looks good enough to be installed front of house.

Just pop the batten into its patented mounting bracket, click & twist and the job is done. Before you know it you're on to your next job - with time to spare.



Twist Lock Technology
Click and twist and the job's done



Quick-Fix Secure Diffuser
Simple, secure and one diffuser fits all



Plug + Play Modules
Presence and daylight detection



No Fuss Rapid Install
Simpler, quicker installation sequence

Faster

Whatever industry you're in - time equals money. PopPackPro is much faster to install than its competitors - and indeed some of our own earlier products! Quick installation means lower labour costs. That's a great start.

Simpler

PopPackPro is simplicity itself. You don't need to be highly skilled to install it. You don't even need many tools. And it gets better...

Better

Your client wants to use less energy and optimise the life of fluorescent lamps - all easily achievable with PopPackPro. With its HF electronic ballast and modular presence and daylight controls, PopPackPro tells an excellent energy story. With its attractive attachments delivering an overall best in class optical performance, you'll never look back..

The most flexible batten lighting system yet

Think again about HF technology

You might not normally use a fluorescent batten at the side of a corridor ceiling. You might not consider a batten for the entrance area to a new building. You might think of HF technology as more expensive and therefore not suitable for public sector projects. We believe we can change your mind.

Raise your standards

Around 50% of batten installations are with a diffuser and prismatic diffusers are the standard of choice. However, the new PopPackPro diffuser raises the standard:

- Acrylic material makes for longer life and no discolouration
- Unique prism structure delivers outstanding optical performance
- Appealing curves make it suitable for more applications
- Patented design suitable for single and twin lamps
- Patented fixing mechanism for simple, swift, secure installation

Designed to perform

Unlike most competitors, the PopPack Pro has purpose-designed T5 and T8 variants. The resulting optic performance is so good that it needs fewer luminaires. So that's less capital cost, less installation cost and less running and maintenance costs. Using conversion kits to retrofit T8 to T5 can lead to loss of designed performance for the luminaire. With purpose designed luminaires you are guaranteed the performance demanded by the lighting design. In addition the 600mm 55W lamp version 'Compact' has a surprisingly high light output approaching that of a single 58W batten making it perfect for lighting task areas where space is limited.

Cornice - no middle ground

The new 'Cornice' attachment is an ideal choice for corridors allowing luminaires to be mounted to the side, rather than the middle of the ceiling. The right-angled design reduces the potential for dirt traps and the simple lines make them easy to clean – perfect for healthcare environments where patient comfort and safety are paramount. Add the unique modular sensor controls to create a lighting installation with reduced running costs.

Take control

PopPackPro's innovative plug-in modules give you real flexibility and control. For the first time, you can add functionality to any standard batten as and when you choose. For example:

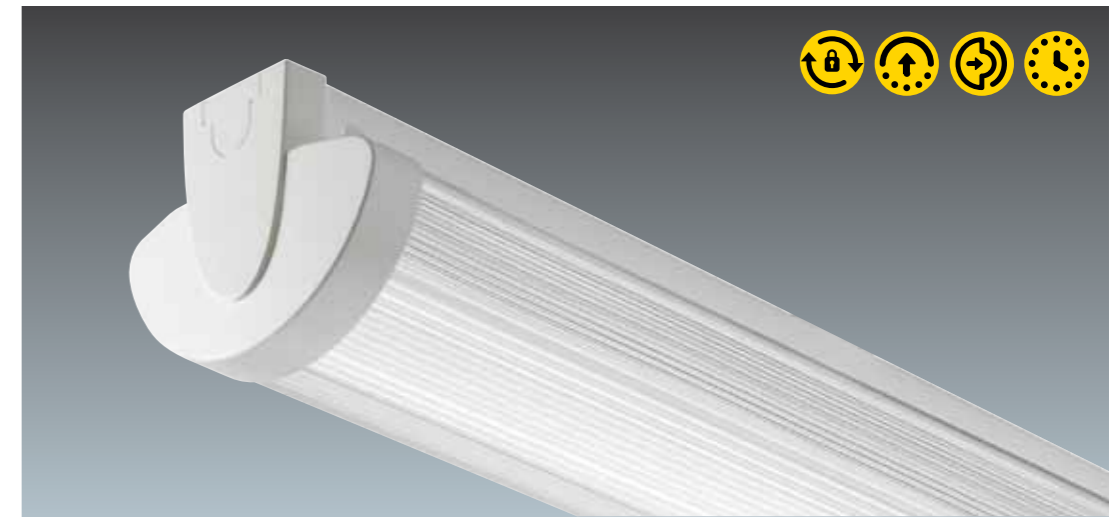
- Control the light when people are absent
- Provide emergency light when the mains fails*

Your choice

Innovation comes as standard with PopPackPro. Whether it's ceiling mounted, trunking or suspended PopPackPro is suitable for all. Moreover, the award-winning Fix-Express mounting bracket which comes as standard on all versions, has been designed specifically to be compatible with BESA box mounting, providing a neat direct fit.

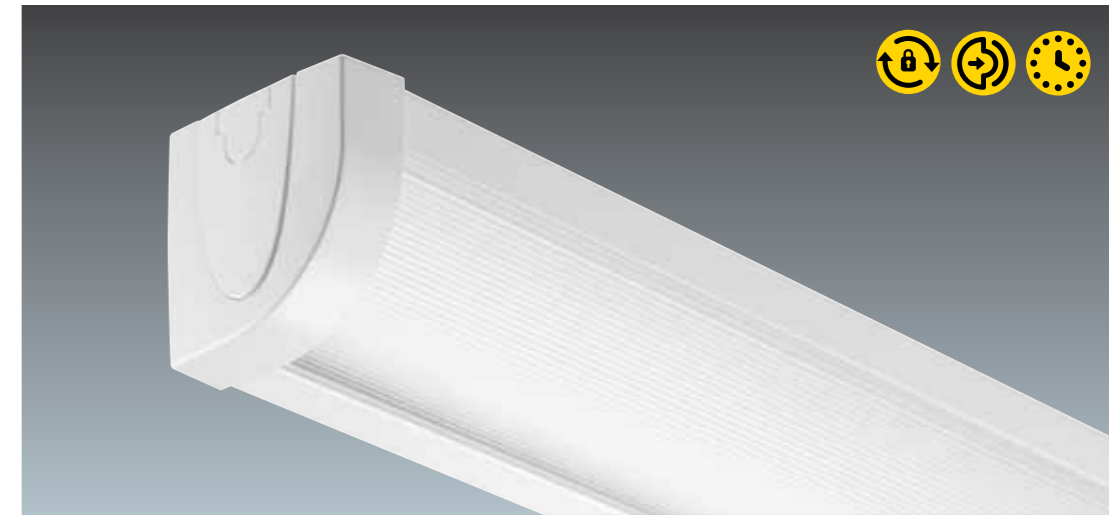
PopPackPro TwinLine

- Contemporary design
- New Quick-Fix secure fitting
- Best in class optical performance
- Compatible with Plug and Play modules



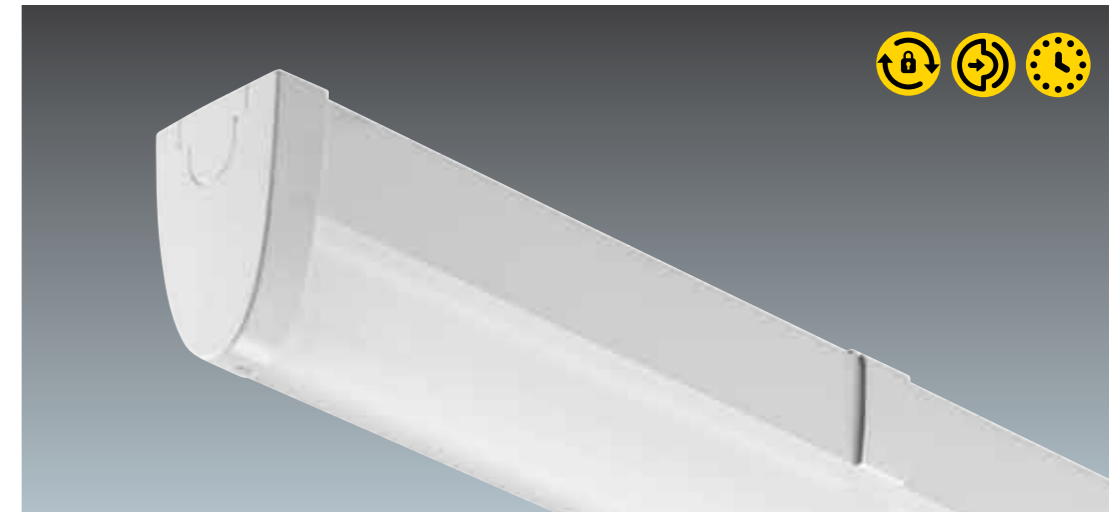
PopPackPro Cornice

- Asymmetric light distribution
- Simple lines - easy to clean
- Ideal for corridor illumination
- Compatible with Plug and Play modules



PopPackPro ClipLine

- Discreet T5
- Opal finish
- Outstanding optical performance
- Compatible with Plug and Play modules



PopPackPro Compact

- Big illumination (55W) from compact batten (600mm)
- Lightweight - easy to handle and carry
- Ideal for smaller spaces
- Compatible with Plug and Play modules



*Emergency modules require a permanent live feed

Performance

Designed with a choice of high performance optical controllers to provide different lit effects to give the right light whatever the application.

Efficiency

At the heart of the new PopPack is ease and speed of installation saving time and money. Attachments for sensors and emergency expand the flexibility with minimal effort. Optimised optics (see table right) reduce energy requirements and therefore CO₂ emissions.

Comfort

Modern styling combined with a choice of attachments offers consistency throughout the application space, providing satisfaction and stimulation.

1x58W	New PopPackPro	Original PopPack	Competitor A	Competitor B	Competitor C	Competitor D
LOR	93%	78%	84%	82%	81%	82%
UGR	15	18.1	19.9	18.8	16.9	
SHR (nom/max)	2.00/2.10	1.75/1.78	1.5/1.68	1.5/1.7	1.5/1.74	

1x35W	New PopPackPro	Original PopPack	Competitor A	Competitor B	Competitor C	Competitor D
LOR	93%	n/a	90%	na	90%	89%
UGR	15.6	n/a		na	15.7	
SHR (nom/max)	1.50/1.73	n/a		na	1.5/1.68	

Competitive photometry sourced from published, commercially available material.

PopPackPro brings together over 50 years' experience, and today's cutting-edge technology.

Fluorescent battens have been around since the mid 1950s and have remained essentially unchanged in all that time. With PopPackPro we went back to the drawing board, driven by the desire to make things faster, simpler and better.

PopPackPro brings together over 50 years' experience since inventing the fluorescent batten, and today's cutting-edge technology. Our design team have spent many hours creating a high-class product at an economical price with purpose-built T8, T5 and Compact Fluorescent versions.

The end result is great to look at, easy to install and brilliant in its functionality. Faster. Simpler. Better.



Quick-Fix Secure Diffuser

We have completely redesigned the way the diffuser fixes to the batten. The patented new fixing is brilliant in its simplicity, ease of install and security.



Twist Lock Technology

Trials have shown that a new PopPackPro batten can be installed 50% faster than competitors.



Plug + Play Modules

To add flexibility we've designed emergency and presence-detection modules.

Designed to perform

1 Easy to fix

Trials have shown that a new PopPackPro batten can be installed 50% faster than competitors. First fix involves attaching two lightweight BESA compatible plates to the mounting surface. The second fix can be done by one person using the 'FixExpress' mechanism incorporated in every PopPackPro. Less time, fewer people and reduced demand on skilled labour makes installation much more cost-effective.

2 One diffuser fits all

Just one diffuser for both single and twin lamp battens means a common appearance and a reduction in the number of installed parts.

New diffuser fixing design

After extensive research we have completely redesigned the way the diffuser fixes to the batten. It's now simpler, quicker and more secure.

3 Easy access

The innovative body design means all the fixing and wiring actions are carried out on a flat spine plate. This makes it much easier to gain access compared to the traditional U-shaped body channel.

4 Electrical connection

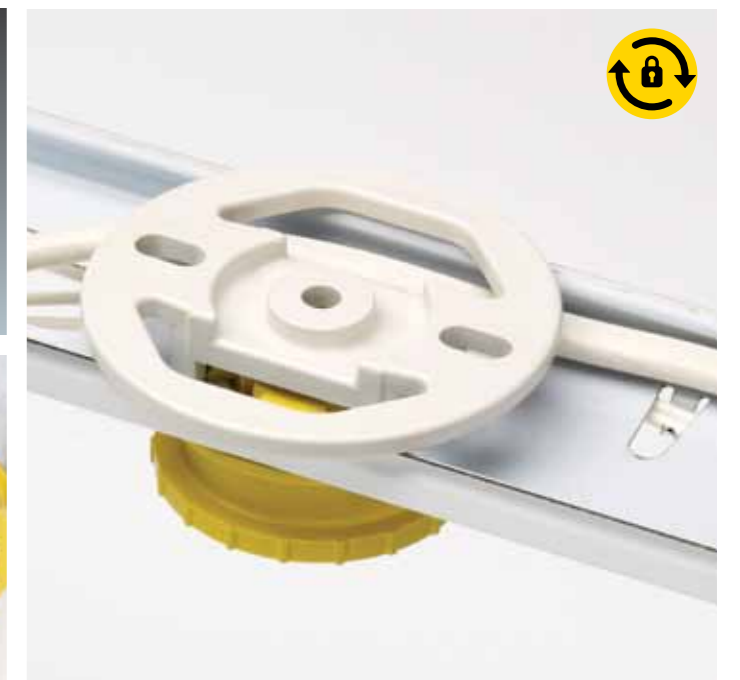
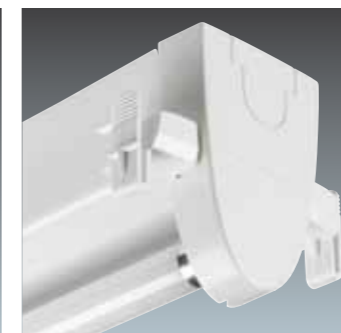
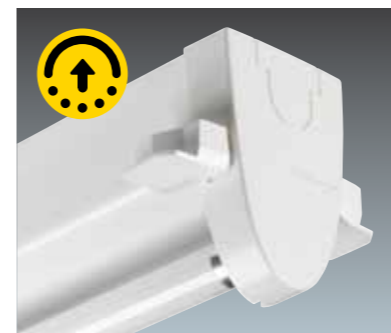
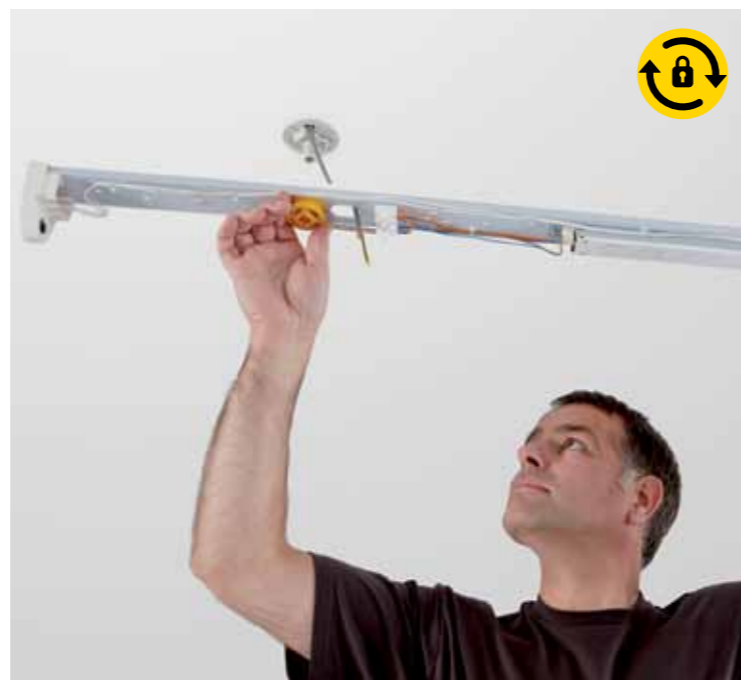
Our extensive research showed that installers hate wasting time fixing wiring faults after the event. That's why the PopPackPro has a screw terminal block which ensures conductors are gripped securely and permanently.

5 Plug-in 'emergency' modularity

All you need is a permanent live feed to the fitting, and you can have an emergency batten in seconds. Our purpose-built, plug-in LED module can be fixed to the end of the luminaire, at installation or at a later date, to give you a fully compliant 3-hour emergency fitting.

6 Plug-in lighting control modularity

You can also introduce occupancy and ambient light-level detection using a similar plug-in module to the LED emergency module. The PopPackPro is designed to control energy usage and reduce running costs.



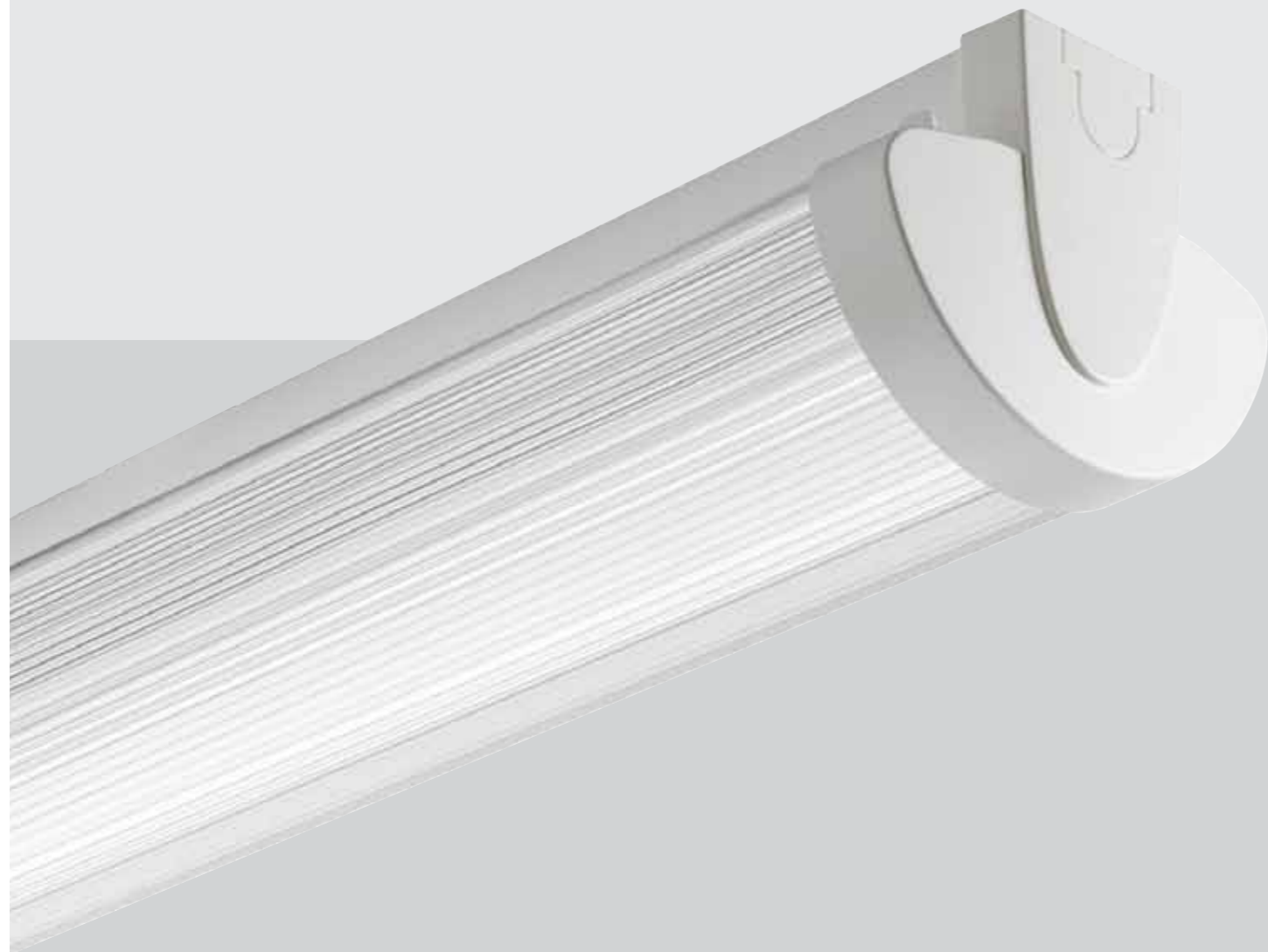
PopPackPro's award-winning design is packed full of ways to make lighting faster, simpler and better for both installers and owners.

Installation guide

Patent pending fixing device improves speed of installation.

Quicker and easier than any batten product I've ever installed...

Paul Dodsworth - CLS Electrical
County Durham, UK



The open spine is designed to provide flexibility and easy access for fast fitting. Snap on the cover tray for a robust, firm installation. The unique fast fix mechanism means that the skilled labour is needed for first fix only. Resulting in quicker, lower cost installation.



Remove the FixExpress mounting plate(s) from the back spine.



Fix mounting plate(s) to the surface/ BESA box, using the fixing template supplied if required.



PopPack Compact uses a single point fix mounting plate with an anti rotate mechanism.



The mounting plates allow quick wiring from BESA fixings

**Install 9 NEW PopPacks
in the same time it used
to take to do 4!**



No Fuss
Rapid Install

PopPackPro Battens and modules

- Contemporary slimline design
- Patented 'FixExpress' mounting plate system ensures rapid installation
- Flexibility - plug and play sensor/emergency modules for safe and simple conversion
- A choice of attachments with outstanding optical performance

Lamps

LED	1W
T16 (FDH) G5	14-54W
T26 (FD) G13	36-70W

Materials/Finish

Batten: pre-coated roll form steel, white
 End caps/lamp holders: injection moulded polycarbonate, white
 FixExpress mounting plates: injection moulded polycarbonate, white
 Sensor and emergency modules: injection moulded polycarbonate
 ClipLine diffusers (T5 only): opal acrylic

Installation/Mounting

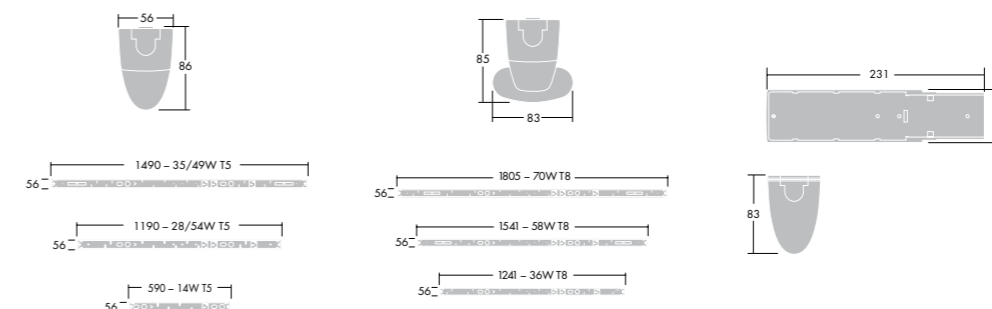
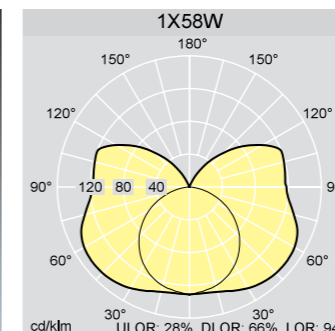
PopPack comes with FixExpress mounting plates to ensure rapid installation directly onto a surface or BESA box (For trunking via 20mm connectors an extended bush is required - available to order ex stock directly from Thorn). All versions have 600mm fixing centres except for 14W versions which are at 445mm centres. Supplied with a screw terminal block that accepts 2x2.5mm² cable per contact pad and is suitable for loop in/loop out wiring. All internal wiring uses halogen free cable. Sensor and emergency modules push fit on the ends, after the end caps have been removed, and are connected with 'one-way' plugs and sockets (not suitable for 14W versions)

Standards



Specification

To specify state:
 T16/T26 fluorescent batten with open gear tray and snap on cover. With quick-fix mounting system and plug and play sensor/emergency flexibility.
 As Thorn PopPackPro.



Ordering Guide

Supplied complete with lamp(s) and mounting plates

Description	Wt (kg)	SAP Code	Cat. No.
PopPack Pro T26 (T8) batten			
POPPACK PRO 1X36W T26 HF L840	1.20	96548062	PPHF136
POPPACK PRO 1X58W T26 HF L840	1.30	96548064	PPHF158
POPPACK PRO 1X70W T26 HF L840	1.40	96548067	PPHF270
POPPACK PRO 2X36W T26 HF L840	1.30	96548063	PPHF236
POPPACK PRO 2X58W T26 HF L840	1.40	96548065	PPHF258
POPPACK PRO 2X70W T26 HF L840	1.50	96548066	PPHF170
PopPack Pro T16 (T5) batten (High Efficiency Lamp)			
POPPACK PRO 1X14W T16 HF L840	1.00	96548068	PP114
POPPACK PRO 1X28W T16 HF L840	1.20	96548069	PP128
POPPACK PRO 1X35W T16 HF L840	1.30	96548071	PP135
POPPACK PRO 2X28W T16 HF L840	1.20	96548070	PP228
POPPACK PRO 2X35W T16 HF L840	1.40	96548072	PP235
PopPack Pro T16 (T5) batten (High Output Lamp)			
POPPACK PRO 1X49W T16 HF L840	1.30	96548073	PP149
POPPACK PRO 1X54W T16 HF L840	1.20	96548075	PP154
POPPACK PRO 2X49W T16 HF L840	1.40	96548074	PP249
POPPACK PRO 2X54W T16 HF L840	1.20	96548076	PP254
PopPack Pro T16 (T5) dimmable batten			
POPPACK PRO 1X49W T16 HFD L840	1.70	96548082	PP149D
POPPACK PRO 1X54W T16 HFD L840	1.50	96548084	PP154D
POPPACK PRO 2X49W T16 HFD L840	1.90	96548083	PP249D
POPPACK PRO 2X54W T16 HFD L840	1.60	96548085	PP254D
PopPack Pro T16 (T5) batten with ClipLine diffuser			
POPPACK PRO 1X49W T16 HF OP L840	1.70	96548078	PPDB149
POPPACK PRO 1X54W T16 HF OP L840	1.50	96548080	PPDB154
POPPACK PRO 2X49W T16 HF OP L840	1.90	96548079	PPDB249
POPPACK PRO 2X54W T16 HF OP L840	1.60	96548081	PPDB254
PopPack LED emergency module			
POPPACK LED E3 KIT	0.40	96504901	PPE3
POPPACK LED E3T KIT	0.40	96504902	PPE3T
PopPack SwitchLite module			
POPPACK SLD KIT	0.20	96504903	PPS

This product range contains Eco Greenliners, our range of ECA compliant fittings.
 For more information visit our website www.thornlighting.co.uk and simply search our products.

LumExpress
 LumExpress products shown in red are specifically designed to meet the day-to-day needs of electrical contractors and are available from Thorn electrical wholesale stockists

PopPackPro Attachments and accessories

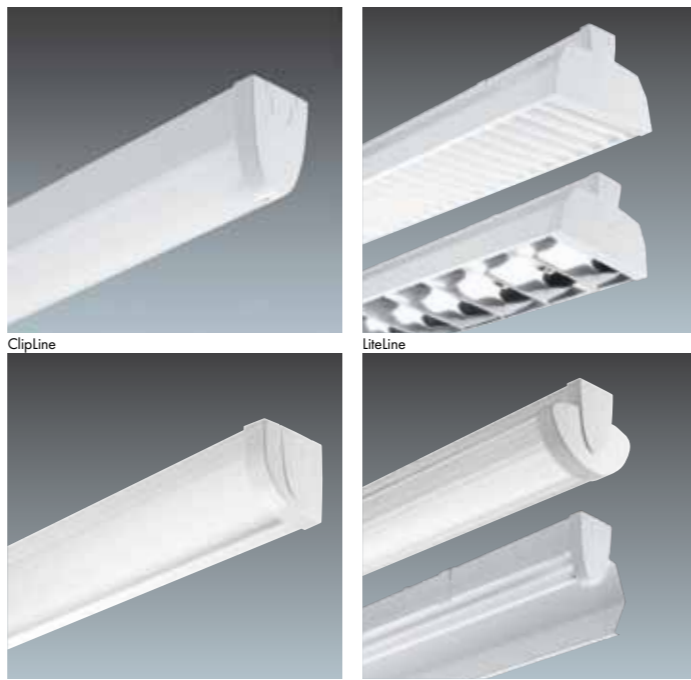
- A choice of reflectors (wide and asymmetric) provides the right task light in the right direction
- Diffuser or louvre attachments are ideal for applications where glare control is required as part of the task lighting
- Robust wire guard - ideal for applications where lamp protection is required from impacts or projectiles
- Cornice attachment is ideal for lighting corridors
- New patented diffuser fixing

Materials/Finish

TwinLine diffusers: clear prismatic acrylic or opal prismatic acrylic with white polycarbonate end caps
 Asymmetric reflector: white steel
 Cornice attachment: white steel, clear prismatic acrylic diffuser with white polycarbonate end caps
 Liteline white reflector: white steel
 Louvre inserts: white painted steel or Satinbrite aluminium with white polycarbonate end caps
 Wire guard: zinc plated steel wire with white polycarbonate end caps

Specification

To specify
 Cline diffuser: Acrylic close fitting diffuser with end-cap profile, suitable for single or twin lamp battens
 Liteline reflector: White painted steel trough reflector with white steel or satinbrite aluminium cross-blade louvre inserts, suitable for single and twin lamp battens.
 Cornice attachment: White steel, corner wall/ceiling fitting attachment with acrylic diffuser suitable for single lamp batten
 Twinline diffuser: Acrylic, prismatic diffuser with quick release lever mounting accessory, suitable for single and twin lamp battens
 Asymmetric reflector: White painted steel asymmetric reflector suitable for single lamp batten
 As Thorn PopPackPro Cline/Liteline/Cornice/Twinline/Asymmetric attachment.



Ordering Guide

Description	Wt (kg)	SAP Code	Cat. No.
PopPack Pro ClipLine opal diffuser			
POPPACK PRO 1X14 DIFF KIT SA AC	0.20	96239193	PPD114
POPPACK PRO 1X28 DIFF KIT SA AC	0.30	96239195	PPD128
POPPACK PRO 1X35 DIFF KIT SA AC	0.40	96239197	PPD135
POPPACK PRO 2X28 DIFF KIT SA AC	0.40	96239196	PPD228
POPPACK PRO 2X35 DIFF KIT SA AC	0.50	96239198	PPD235
PopPack Pro TwinLine clear prismatic acrylic diffusers			
POPPACK PRO DIFF 1/2X28/54 CL PR AC		96548089	PPC28/54
POPPACK PRO DIFF 1/2X35/49 CL PR AC		96548090	PPC35/49
POPPACK PRO DIFF 1/2X36 CL PR AC		96548086	PPC36
POPPACK PRO DIFF 1/2X58 CL PR AC		96548087	PPC58
POPPACK PRO DIFF 1/2X70 CL PR AC		96548088	PPC70
PopPack Pro TwinLine opal prismatic acrylic diffusers			
POPPACK PRO DIFF 1/2X28/54 OP PR AC		96548094	PPD28/54
POPPACK PRO DIFF 1/2X35/49 OP PR AC		96548095	PPD35/49
POPPACK PRO DIFF 1/2X36 OP PR AC		96548091	PPD36
POPPACK PRO DIFF 1/2X58 OP PR AC		96548092	PPD58
POPPACK PRO DIFF 1/2X70 OP PR AC		96548093	PPD70
PopPack Pro Liteline white reflectors			
POPPACK PRO REFL 1X2X28/54 RHW		96548119	PPR28/54
POPPACK PRO REFL 1X2X35/49 RHW		96548120	PPR35/49
POPPACK PRO REFL 1X2X36 RHW		96548116	PPR36
POPPACK PRO REFL 1X2X58 RHW		96548117	PPR58
POPPACK PRO REFL 1X2X70 RHW		96548118	PPR70
PopPack Pro Wireguard kit for use with Liteline white reflector			
POPPACK PRO KIT 1X2X28/54 WG (RHW)		96548124	PPWG28/54
POPPACK PRO KIT 1X2X35/49 WG (RHW)		96548125	PPWG35/49
POPPACK PRO KIT 1X2X36 WG (RHW)		96548121	PPWG36
POPPACK PRO KIT 1X2X58 WG (RHW)		96548122	PPWG58
POPPACK PRO KIT 1X2X70 WG (RHW)		96548123	PPWG70

Description	Wt (kg)	SAP Code	Cat. No.
PopPack Pro Liteline white reflector with satinbrite louvre insert			
POPPACK PRO REFL DSB 1X2X28/54		96548114	PPSBL28/54
POPPACK PRO REFL DSB 1X2X35/49		96548115	PPSBL35/49
POPPACK PRO REFL DSB 1X2X36		96548111	PPSBL36
POPPACK PRO REFL DSB 1X2X58		96548112	PPSBL58
POPPACK PRO REFL DSB 1X2X70		96548113	PPSBL70
PopPack Pro Liteline white reflector with white vane louvre insert			
POPPACK PRO REFL LL 1X2X28/54		96548109	PPWL28/54
POPPACK PRO REFL LL 1X2X35/49		96548110	PPWL35/49
POPPACK PRO REFL LL 1X2X36		96548106	PPWL36
POPPACK PRO REFL LL 1X2X58		96548107	PPWL58
POPPACK PRO REFL LL 1X2X70		96548108	PPWL70
PopPack Pro Asymmetric reflector			
POPPACK PRO REFL RAS 1X28/54		96548099	PPAR28/54
POPPACK PRO REFL RAS 1X35/49		96548100	PPAR35/49
POPPACK PRO REFL RAS 1X36		96548096	PPAR36
POPPACK PRO REFL RAS 1X48		96548097	PPAR58
POPPACK PRO REFL RAS 1X70		96548098	PPAR70
PopPack Pro Cornice diffuser in clear prismatic			
POPPACK PRO ECU 1X28/54 CL PR PC		96548104	PPCOD28/54
POPPACK PRO ECU 1X35/49 CL PR PC		96548105	PPCOD35/49
POPPACK PRO ECU 1X36 CL PR PC		96548101	PPCOD36
POPPACK PRO ECU 1X58 CL PR PC		96548102	PPCOD58
POPPACK PRO ECU 1X70 CL PR PC		96548103	PPCOD70
PopPack Pro Accessories			
POPPACK FIXEXPRESS BRA KIT QTY 20	1.00	96239192	PPFEK
POPPACK TRUNKING FIX KIT	1.00	96239199	PPTRK

LumExpress
 LumExpress products shown in red are specifically designed to meet the day-to-day needs of electrical contractors and are available from Thorn electrical wholesale stockists

PopPackPro Compact

- Ideal for small space applications
- Multi packs, ideal for ad-hoc installations
- Flexibility - plug and play sensor/emergency modules for safe and simple conversion
- Single point 'Fix Express' mounting system for rapid installation

Lamps

- LED 1W
- TC-L (FSDH) 2G11 55W

Materials/Finish

Batten: pre-coated roll form steel, white
 End caps/lamp holders: injection moulded polycarbonate, white
 FixExpress mounting plate: injection moulded polycarbonate
 Sensor and emergency modules: injection moulded polycarbonate, white
 Diffuser: clear prismatic UV stabilised polycarbonate

Installation/Mounting

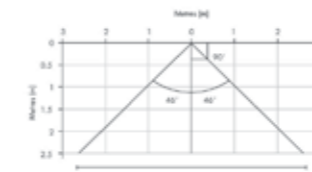
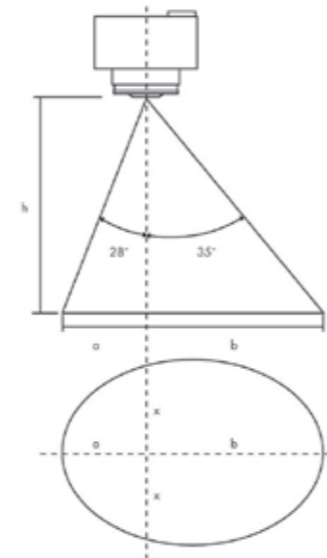
PopPack Compact comes with one FixExpress mounting plate to ensure rapid installation directly onto a surface or BESA box. Supplied with a screw terminal block which accepts 2.5mm² cable and is suitable for loop in/loop out wiring. Sensor and emergency modules push fit on the ends after the end caps have been removed and are connected with 'one-way' plug and sockets. All internal wiring uses halogen free cable.

Standards



Specification

To specify state:
 Compact fluorescent batten with open gear tray and snap on cover. With quick fix mounting system and plug and play sensor/emergency flexibility
 As Thorn PopPack Compact



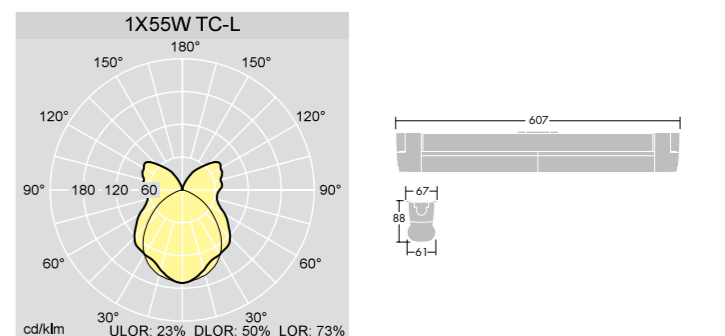
Emergency & sensor modules compatible with Standard, Cornice and Compact versions

Ordering Guide

Supplied complete with lamp, diffuser and mounting plate

Description	Wt (kg)	SAP Code	Cat. No.
PopPack Compact with diffuser			
POPPACK COMPACT 1X55W TC-L HF L840	1.00	96239202	PP155
POPPACK COMPACT 1X55W TC-L HF L840 QTY 6	6.00	96504899	PP155/6
PopPack Compact LED emergency module			
POPPACK LED E3 KIT	0.40	96504901	PPE3
POPPACK LED E3T KIT	0.40	96504902	PPE3T
PopPack Compact SwitchLite module			
POPPACK SLD KIT	0.20	96504903	PPS

LumExpress
 LumExpress products shown in red are specifically designed to meet the day-to-day needs of electrical contractors and are available from Thorn electrical wholesale stockists



THORN

LIGHTING PEOPLE

Thorn Lighting Limited

UK

Durhamgate, Spennymoor,
County Durham, DL16 6HL
Tel: 01388 420042

Sales support to the market

Sales/Quotations
Tel: 0844 855 4810
Fax: 0844 855 4811
E-mail: uk.quotations@thornlighting.com

Ireland

Thorn Lighting (Ireland) Limited
Century House
Harolds Cross Road
Dublin 6W
Tel: (353) 1 4922 877
Fax: (353) 1 4922 724
E-mail: dublinsales@thornlighting.com

Spare parts

Tel: 0191 301 3131
Fax: 0191 301 3038
E-mail: spares@thornlighting.com

Technical support

Tel: 0844 855 4812
Fax: 0191 301 3107
E-mail: technical@thornlighting.com

Literature hotline

Brochures on specific products/ranges
E-mail: brochures.uk@thornlighting.com

www.thornlighting.co.uk

Thorn Lighting is constantly developing and improving its products. All descriptions, illustrations, drawings and specifications in this publication present only general particulars and shall not form part of any contract. The right is reserved to change specifications without prior notification or public announcement. All goods supplied by the company are supplied subject to the company's General Conditions of Sale, a copy of which is available on request. All measurements are in millimetres and weights in kilograms unless otherwise stated. Printed on Luxo Light.

Publication No: 520 (GB) Publication Date: 10/11



ISO 9001:2008
Reg: AT-00005/5
ISO 14001:2004
Reg: AT-00247/2
Manufacturing