

# THORN

LIGHTING



# BRAND NEW

PRODUCT FOCUS EDITION 1/2018

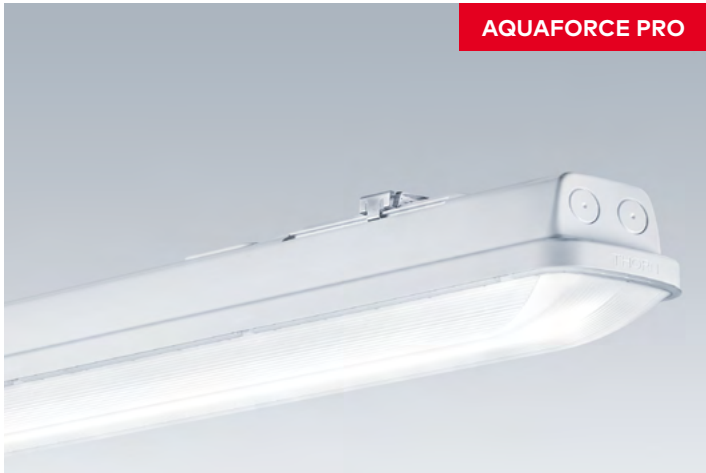
member of zumtobel group

# BRAND NEW PRODUCTS

INDOOR

OUTDOOR

AQUAFORCE PRO



DUROLIGHT



EP445



FEROZ



FLOW



ISARO PRO



Beginning of 2018 we're setting fresh standards for moisture-proof and dust-resistant LED lighting. Performance and versatility reach new heights with our Aquaforce Pro luminaire, while our brand-new Flow family takes outdoor lighting to the next level in terms of flexibility. The modular design of Flow makes it easy to provide the same look for different city spaces, empowering designers to achieve consistency and visual harmony in both new and retro-fit projects. The new robust high-performance LED street lantern Isaro Pro looks great on any road – and is also fit for the future. The outdoor portfolio will also be extended by EP445 an LED street lantern with that blends into historic cities and towns. Alternatively, EP445 offers the best of both worlds for those wanting to combine modern lighting technology with a more traditional look.

Designed for the toughest transport and industrial applications, our new Feroz effortlessly copes with heat, dust, moisture, impacts and more. Going one step further when it comes to resistance, the new Durolight is an extremely robust linear luminaire with the highest levels of anti-vandal and anti-ligature protection.

And, as always, we continue to update and improve our existing products to ensure the best possible performance. For details of all the latest additions to the Thorn range, please read on.



# AQUA



**Building on the success of Thorn's market-leading moisture proof luminaire, Aquaforce Pro sets a new standard for moisture and dust-resistant LED lighting.**

# FORCE PRO



When it comes to luminaires that can handle damp and dusty conditions, the name of Thorn Aquaforce is already well known. With the brand-new Aquaforce Pro, performance and versatility have reached new heights. The IP66-rated fitting is available in a choice of wide- and medium-beam light distribution options tailored for factory and warehouse settings or car parks – and is ready for the new DIN 67528 parking standard. Its opal diffuser ensures the best light quality. Aquaforce Pro features DALI dimming and a built-in corridor function, using a presence/absence detector to dim down and turn off automatically when circulation areas are not in use. Thanks to the RF radio module, Aquaforce Pro luminaires

are able to connect wirelessly to each other to form groups. This robust luminaire is built to resist ambient temperatures ranging from  $-20^{\circ}\text{C}$  to  $35^{\circ}\text{C}$ , and its clever drip-edge design avoids dust depositing on the light output surface. Some LED luminaires still struggle to match the light output of conventional products on a one-for-one basis. But Aquaforce Pro comes in an 8000 lm version, powerful enough to serve as a direct one-for-one replacement for 2x58 W or 2x49 W conventional luminaires, making it an ideal choice for retrofit and refurbishment projects. And with efficacy as high as 141 lm/W, the potential savings are significant.





## **Durolight is an extremely robust linear luminaire with the highest in antivandal and antiligature protection.**

Luminaires don't come any tougher than Durolight. This new fitting has been designed to withstand the toughest knocks and to be deployed in the most demanding settings. Available in a choice of shapes for wall, ceiling or corner mounting, Durolight is suitable for public spaces and custodial facilities, thanks to its antivandal and antiligature design. Built from 2 mm-thick sheet steel, Durolight carries the maximum IK10 rating for impact protection, and can withstand impacts of up to 170 joules – approximately eight times higher than is required by the standard. It is rated IP65 for protection against dust and moisture, and also boasts high UV resistance, contributing to a long lifetime when used outdoors. Fixed output and DALI versions of Durolight are available.



# DURO LIGHT







# EP 445

**With historic style and cutting-edge lighting technology, EP445 brings you the very best of both worlds.**

Thorn's EP445 combines a 19th-century look with 21st-century performance. This retro-style lantern is the perfect choice for replacing traditional lighting in historic locations and conservation areas with a durable, energy-efficient and modern solution. EP445 features an automatic disconnection to prevent electrical damage when the lantern is opened, and 10kV surge protection. Three different levels of current can be selected on the driver, for on-site adjustment. And this robust lantern is designed to withstand the

elements – it's rated IP66 for protection against dust and moisture, and IK08 for impact resistance. With efficacy of 122 lm/W and a 100 000-hour lifetime, EP445 is a particularly attractive choice for retrofit and refurbishment projects where energy saving is a priority. This is reinforced by integrated Bi-Power setups, which can be very easily adapted. EP 445 offers a post-top and suspended versions, accessories for use with a variety of supports, and a wide choice of light distributions.

# FEROZ



**Designed for the toughest transport and industrial applications, Feroz effortlessly withstands heat, dust, moisture, impact and more.**

Feroz is one of the toughest LED luminaires on the market. Designed to meet the requirements of demanding infrastructure applications such as railway stations, depots and bus shelters, Feroz also suits a range of other industrial settings. Employing the latest in LED technology and digital control, Feroz is ideal for new applications, or as a retrofit product to replace older lighting technologies. Available in standard lengths of 0.6, 1.2 and 1.5 metres, it's an easy product to retrofit in order to reduce maintenance and energy costs – and to introduce digital control – to existing installations. Feroz has a rated lifetime of 100000 hours to L70. This single product can handle all areas, all seasons and all applications.



# FLOW



Our most versatile outdoor solution yet, Flow integrates seamlessly into any urban setting, allowing designers to create a unified look.



As people flow through the city by car, bike or on foot, Flow creates light that flows with them, adapting and providing safety and high visual performance, while creating a pleasant and welcoming ambience. Flow fits in everywhere, providing the most efficient distribution for all kinds of urban activities – whether it's jogging, driving, shopping or socialising. The timeless, understated design language of this brand new luminaire makes it easy to picture in setting. But it's not only Flow's appearance that makes it so flexible. The luminaire features 6 different mounting variants, 13 optical possibilities for street lighting and area lighting, a choice of tilting options (negative and positive) and dimming options to contribute to comfort and wellbeing in large and small roads, residential areas, city centres, car parks, footpaths, train platforms, education and sports institutions, industrial buildings and open areas. Compatible with most of radio frequency systems on the market, Flow also brings intelligence to urban spaces through a wide choice of control options, including DALI, bi-power, power-line or wireless control (InCity) and presence detection. This enables energy savings while improving safety and contributing to a sense of wellbeing by adapting to movements of pedestrians, cyclists and cars. Flow offers high-performance photometry optimised for each specific application. Its efficacy reaches 139 lm/W, enabling it to save significant amounts of energy compared to conventional solutions, and it comes with a 10 kV surge protection device as standard. Lumen packages ranging from 1700 lm to 13600 lm are available.





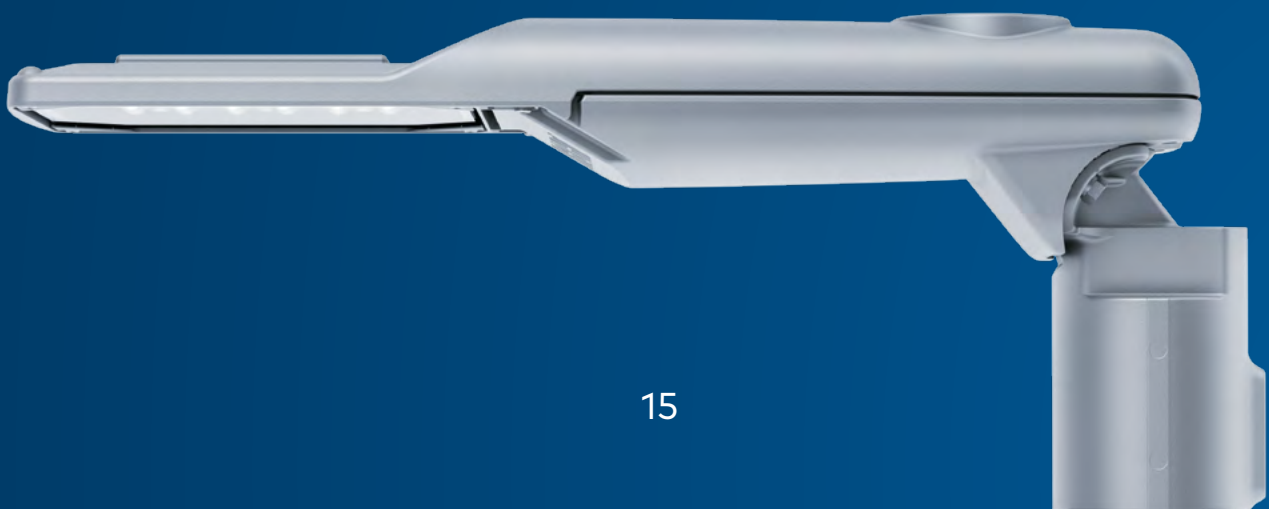


# ISARO PRO

**This robust and high-performance LED street lantern brings comfort and safety to any road or street.**

Pressure to reduce energy costs and carbon emissions for outdoor lighting is stronger than ever. High-quality LED street lanterns offer a great solution, thanks to clever design, highly efficient light sources, long life and smart controls. Made of top-quality alloy, Isaro Pro is built to withstand all conditions, and to cope with physical impact and vibration. With a lifetime of up to 100 000 hours, it guarantees years of reliable performance, ensuring a low-cost of ownership. And with connectivity built in, it's a truly futureproof solution. As well as

being robust, this modern lantern is slim, sleek and performs brilliantly. With light output of up to 9 500 lm for the first size launched, Isaro Pro size S is powerful enough to handle streets, residential areas and car parks. Because every street is different, Isaro Pro uses Thorn's unique R-PEC<sup>®</sup> optic to offer unprecedented optical flexibility. A choice of 14 precise light distributions is available for highly efficient and comfortable light, exactly where it is needed, whether lighting a residential street, a busy road or a pedestrian crossing.



# PRODUCT UPGRADES



THORNLIGHTING.COM/POPL

## POPPACK

**A classic that remains as popular as ever, the latest Thorn PopPack provides enhanced flexibility.**

PopPack is the perfect one-for-one LED replacement for single and twin fluorescent battens, enabling big savings on energy and maintenance. It's suitable for refurbishment and new installations, with a choice of three lengths and eight lumen outputs of up to 11 000 lm. With a DALI dimmable version available and PIR sensors, further savings can be achieved. It's easy to install and align, using the slots in the base tray, either directly on to the surface or using a BESA box. PopPack's multiple rear cable entries and knock-out side cable entries ensure simple electrical connection and it is suitable for through-wiring. PopPack features a built-in three-hour emergency function.



THORNLIGHTING.COM/PRIS

## PRISMA LED

**This popular linear luminaire has been upgraded to the latest LED technology.**

Coming in lengths of 600 mm and 1200 mm, and lumen packages up to 6000 lm, Prisma LED is the perfect one-for-one replacement for conventional luminaires, and is capable of saving energy costs thanks to its efficacy of up to 130 lm/W. A dimmable version is available to unlock further savings. Prisma LED is available in colour temperatures of a neutral 4000 K and a warm 3000 K.



THORNLIGHTING.COM/FPAK

## FLEXPAK

**The new narrow beam optic for Thorn's FlexPak high bay provides perfect illumination in logistics applications.**

Thorn's FlexPak high bay now features a narrow beam optic for uniform illumination in logistics applications. The optic allows this distinctive ring-shaped luminaire to cast a rectangular light distribution. FlexPak provides up to 31500 lm at 4000 K, with a colour-rendering index (CRI) of 80. Its efficacy is up to 135 lm/W and it is rated IP65 for protection against dust and moisture. This enables big energy savings to be made in logistics warehouses, especially when combined with remote wireless sensors. FlexPak's round design and single-point mounting makes it easy to install with plug-and-play connection. It is available with a constant lumen output feature that keeps light levels the same throughout its lifetime. The new narrow beam option complements the existing wide and very wide beam light distributions and is available for lumen packages from 17000 lm to 31500 lm.



THORNLIGHTING.COM/FPAK

## FLEXPAK EMERGENCY LIGHTING KIT

**Add emergency lighting functionality to our innovative high bay.**

The FlexPak emergency lighting kit makes it easy to add emergency lighting functionality to Thorn's innovative LED high bay. The kit can be purchased together with FlexPak, or installed later as needed. The luminaire has an emergency connector as standard, so installation is a simple matter of plug-and-play. The kit provides 3 hours of continuous lighting in the event of a loss of power, with an optional DALI addressable version. The robust housing of the kit ensures IP65 protection. The emergency lighting kit adds to the flexibility of FlexPak, which is suitable as a direct one-for-one replacement of HID high bay fittings, enabling energy savings of up to 70%. The FlexPak emergency lighting kit is assembled in the UK using high-quality components made in Europe.



THORNLIGHTING.COM/GLCL

## GLACIER II LED

**With its high output of 9500 lumen, this new variation on our pendant luminaire is perfect for applications with high ceilings.**

Our Glacier II LED range has extended to include a new 9500 lm version, ideal for retail applications with mounting heights of five metres or higher. Glacier II LED is a highly efficient decorative modern LED pendant luminaire. Available with a grey or black body and a choice of diffusers, its design makes it the perfect complement to other products in Thorn's retail portfolio. And the increased lumen package of 9500 lm makes Glacier II LED a perfect one-for-one replacement for traditional 150 W HID pendant fittings. Installation is quick and easy thanks to a bayonet-style diffuser mounting and 2.5-metre suspension cable with quick-lock. There's an optional integrated three-hour emergency function, and the DALI version is compatible with central battery emergency systems.



THORNLIGHTING.COM/ESCT

## ESCORT LED

**A robust, durable and easy-to-install bulkhead featuring IK10 and IP65 ingress protection.**

Escort LED is a true "fit and forget" bulkhead. With a die-cast aluminium housing, a tough polycarbonate diffuser and vandal-resistant screws, Escort LED is rated to IK10 for impact resistance and IP65 for protection against dust and moisture. Its design accommodates rear cable entry with pre-installed grommets, or side entry with pre-installed cable glands, for easy installation. The installer can select between lumen outputs of 800 or 1000 lm via an easy to use selection switch located on the gear tray.



THORNLIGHTING.COM/AFLP

## AREAFLOOD PRO

**Versatile area floodlight with superior optical performance and control**

Thorn's Areaflood Pro is an asymmetrical LED floodlight for general purpose area lighting and sports lighting. The latest version features improved energy efficiency for lower running costs. This high-performance floodlight is available in three sizes with lumen packages up to more than 40000 lm and a choice of five light distributions. Areaflood Pro features excellent control of light, with minimal spill light (0 cd at 90°), ensuring comfort for neighbouring residents. Areaflood offers high levels of protection against dust, moisture and impact (IP66 and IK08) and full controls compatibility. Its compact design and low weight keep costs down for retrofit installations. The product has a rated lifetime of up to 100000 hours covering the drivers and LEDs, meaning little or no maintenance will ever be required.





OUTDOOR

THORNLIGHTING.COM/R2L2

## R2L2

**A complete road lantern family at the forefront of LED technology to offer excellent lighting performance and cover all applications.**

Sleek, modern and consistent, R2L2 is easy to integrate into the landscape and has a balanced design from all angles. Simply choose the luminaire size and quantity and type of light distribution. R2L2 uses a high performance R-PEC<sup>®</sup> optic to offer 14 types of light distribution for precise light placement with no waste light. Use R2L2 to efficiently and effectively light all road applications, from high speed roads to pedestrian crossings thanks to its lumen output up to 31000 lm. R2L2 offers a wide range of optional control solutions to meet all needs and environments. As well as maximising energy savings by reducing waste energy, R2L2's lighting controls will extend the LED lifetime and in turn, reduce maintenance requirements. R2L2 benefits from an attractive integrated all-in-one spigot.



OUTDOOR

THORNLIGHTING.COM/CTEQ

## CIVITEQ

**The perfect balance between cost of ownership and performance for road lighting**

CiviTEQ is an unobtrusive, cost-effective road lighting solution that's ideal for refurbishment projects. And increased luminous efficacy makes it more economical to run than ever. Fitted with our unique R-PEC<sup>®</sup> optic, CiviTEQ enables 14 precise light distributions, bringing safe and efficient light (up to 152lm/W) to a wide variety of residential streets and high traffic roads. It is available in three sizes with light output of up to 40330 lm, and with versatile installation possibilities to suit any installation layout. It can be controlled by RF or power-line communication, and is also compatible with other controls systems. Options and accessories include 10kV surge protection device, automatic disconnection, BPS, LRT, photocell and external louvers. CiviTEQ's compact and lightweight design make for easy handling and installation, and its long-life keeps maintenance costs low.



OUTDOOR

THORNLIGHTING.COM/ALTA  
THORNLIGHTING.COM/ALTS

## ALTIS AREA / ALTIS SPORT

**With better-than-ever performance, Altis meets and exceeds the lighting needs of sports venues and top arenas.**

Our newly upgraded Altis floodlight features improved optics for higher light output of up to 165000 lm, and better thermal management – making the luminaire longer-lasting, more reliable and more efficient. Compared to previous versions, lumen output has been increased by 20% for the symmetric light distribution version and by 25% for the asymmetric version. Designed specifically for sports and large area lighting, Altis provides flicker-free light for super-slow-motion TV filming – even at shooting speeds of up to 1000 frames per second, so it meets the most demanding broadcasting specs for major sports venues. Its slimline IP66-rated driver weighs less than 7kg, so it's easy to install and maintain, and can be placed remotely up to 200 metres from the luminaire.

# THORN

LIGHTING

## AFRICA

Thorn Europhane S.A.,  
156 Boulevard Haussmann  
75379 Paris Cedex 08, France  
T +33 1 49 53 62 62 | F +33 1 49 53 62 40  
thorn.promotion@zumtobelgroup.com  
www.thornlighting.fr

## AUSTRALIA

ZG Lighting Australia Pty Ltd  
2/7 Millner Avenue, Horsley Park,  
NSW 2175 Australia  
T +61 1300 139 965  
info.au@zumtobelgroup.com  
www.zumtobelgroup.com

## AUSTRIA

ZG Lighting Austria GmbH  
Wagramer Strasse 19  
1220 Wien  
T +43 1 258 26 01-0 | F +43 1 258 26 01-82845  
info.at@zumtobelgroup.com  
www.thornlighting.at

## BENELUX

ZG Lighting Benelux  
Rijksweg 47 A, Industriezone Puurs Nr. 442  
BE-2870 Puurs, Belgium  
T +32 3 860 93 93 | F +32 3 886 25 00  
infobe@thornlighting.com  
www.thornlighting.be

## BOSNIA AND HERZEGOVINA

ZG Lighting d.o.o.  
Predstavništvo u BiH  
Zmaja od Bosne 7  
BA-71000 Sarajevo, Bosnië-Herzegovina  
T +38 733 59 04 63 | F +38 733 59 04 63  
info.ba@zumtobelgroup.com  
www.thornlighting.com

## CHINA

Thorn Lighting (Guangzhou) Limited  
12A Lian Yun Road Eastern Section  
GETDD, Guangzhou  
510530, P.R. China  
T +86 20 2232 6000  
Sales Hotline: 400 8080 195  
info.cn@zumtobelgroup.com  
zumtobel.com.cn

Thorn Lighting (Guangzhou) Limited  
Shanghai Branch  
Room 802, No. H Building,  
No.142 Tianlin Road,  
Shanghai 200233, P.R. China  
T +86 20 8551 5759

Thorn Lighting (Guangzhou) Limited  
Beijing Branch  
Room 2101, Block B, Jianwai  
SOHO East, 39 East 3rd Ring Road,  
Chaoyang District,  
Beijing 100022, P.R. China  
T +86 10 6505 4601

Thorn Lighting (Guangzhou) Limited  
Guangzhou Branch  
23E, Sanxin Building, No. 33  
Huangpu Road West, Tianhe District  
Guangzhou 510623, P.R. China  
T +86 20 8551 5759

## CROATIA

ZG Lighting d.o.o.  
Ulica Petra Hektorovića 2  
10000 Zagreb, Croatia  
T +38 516 40 40 80 | F +38 516 40 40 90  
welcome@zumtobel.hr  
www.thornlighting.hr

## CYPRUS, GREECE, MALTA AND TURKEY

Zumtobel Lighting GmbH  
Schweizer Strasse 30,  
A-6851 Dornbirn, Austria  
T +43 5572 39 00 | F +43 5572 22 826  
welcome@zumtobel.si  
www.thornlighting.com

## CZECH REPUBLIC

ZG Lighting Czech Republic s.r.o.,  
Jankovcova 2, 170 00 Praha 7  
T +42 266 78 22 00 | F +42 266 78 22 01  
thorn.cz@zumtobelgroup.com  
www.thornlighting.cz

## DENMARK

Thorn Lighting A/S  
Stamholmen 155, 5. sal,  
2650 Hvidovre  
T +45 76 96 36 00  
kundeservice.dk@zumtobelgroup.com  
www.thornlighting.dk

## FRANCE

ZG Lighting France  
Siège social / Centre Lumière  
10 rue d'Uzès  
CS 55466  
Paris  
T +33 (0) 1 49 53 62 62  
info.fr@zumtobelgroup.com  
www.thornlighting.fr

## GERMANY

ZG Licht Süd GmbH  
Carl-Benz-Straße 21  
60386 Frankfurt  
T +49 69 26 48 89-0 | F +49 69 26 48 89-80  
info.de@zumtobelgroup.com  
www.thornlighting.de

## HONG KONG, TAIWAN

ZG Lighting Hong Kong Ltd.  
Unit 503 – 508, 5/F, Building 16W,  
Phase 3, Hong Kong Science Park,  
New Territories, Hong Kong  
T +852 2578 4303 | F +852 2887 0247  
info.hk@zumtobelgroup.com

## HUNGARY

ZG Lighting Hungary Kft  
1134 Budapest,  
Váci út 49.  
T +36 1 450 2490 | F +36 1 350 0829  
welcome@zumtobel.hu  
www.zumtobel.hu

## INDIA

Thorn Lighting India Pvt. Ltd.  
410, Atlanta Estates  
Goregaon East  
Mumbai-400063  
T +91 (22) 2927 0456  
info.in@zumtobelgroup.com  
www.thornlighting.ae

## IRELAND

Thorn Lighting (Ireland) Limited  
Century House, Harolds Cross Road,  
Dublin 6W  
T +353 1 4922 877 | F +353 1 4922 724  
dublinsales@zumtobelgroup.com  
www.thornlighting.co.uk

## ITALY

thorn.it@zumtobelgroup.com  
www.thornlighting.it

## KINGDOM OF SAUDI ARABIA

Zumtobel Lighting Saudi Arabia Ltd.  
Al Rawadah District  
Prince Sultan St. Al Murjanah Tower  
Bldgt. No 8125, 2nd Floor, Office 204  
P.O. Box 11911 Jeddah, 21463  
T +966 012 565 8823 ext.4 | F +966 012 6533153  
marketing.mena@zumtobelgroup.com  
www.thornlighting.ae

## KOREA

#1506, Union Center Building,  
310, Gangnam road, Gangnam-gu.  
Seoul 06253, Korea  
T +82 2 565 8823 ext.4 | F +82 2 565 8827  
info.kr@zumtobelgroup.com

## LATIN AMERICA

ZG Lighting Southern Europe  
and Latam, S.L.  
Calle Orinoco 90, planta 21, Of. 03  
Las Condes, Santiago de Chile (Chile)  
T +56 22 573 77 80  
info.latam@zumtobelgroup.com  
www.thornlighting.es | www.thornlighting.com

## LUXEMBOURG

ZG Lighting Benelux  
Rue de Luxembourg 177  
8077 Bertrange, Luxembourg  
T +352 26 44 03 50 | F +352 26 44 03 51  
infolu@thornlighting.com  
www.thornlighting.lu

## MIDDLE EAST - BAHRAIN, KUWAIT, JORDAN,

PALESTINE, LEBANON, IRAN, YEMEN, OMAN  
ZG Gulf LLC  
48 Street, Al Quoz industrial area,  
P.O.Box: 22672,  
Dubai, United Arab Emirates  
T +971 4 294 8938  
marketing.mena@zumtobelgroup.com  
www.thornlighting.ae

## THE NETHERLANDS

ZG Lighting Benelux  
Piet Heinkade 55  
1019 GM Amsterdam, the Netherlands  
T +31 20 235 23 00 | F +31 20 235 23 99  
infonl@thornlighting.com  
www.thornlighting.nl

## NEW ZEALAND

ZG Lighting (NZ) Limited  
27 Jomac Place,  
Avondale, Auckland 1026  
PO Box 71134, Rosebank  
T 0800 800 934  
T +64 9 828 7155 | F +64 9 828 7591  
info.nz@zumtobelgroup.com  
www.thornlighting.co.nz

## NORWAY

Thorn Lighting AS  
Bygdøy allé 4, 0257 Oslo  
T +47 22 82 07 00  
kundeservice.no@zumtobelgroup.com  
www.thornlighting.no

## POLAND

ZG Lighting Polska Sp. Z o.o.  
Ul. Wołoska 9A  
02-583 Warszawa  
Polska  
T +48 22 856 74 31  
zgpolska@zumtobelgroup.com  
www.thornlighting.pl

## QATAR

Thorn Lighting WLL  
Abdul Jaleel Business Centre,  
Office No. 304, Najma,  
Old Airport road Doha, P.O. Box 6026,  
State of Qatar  
T +974 4432 1445 | F +974 4432 1445  
marketing.mena@zumtobelgroup.com  
www.thornlighting.ae

## ROMANIA

Zumtobel Lighting Romania SRL  
Str. Radu Greceanu 2, Sector 1  
012225, Bucuresti, Romania  
T +40 31225 3801  
ro.welcome@zumtobelgroup.com  
www.thornlighting.com

## RUSSIA

ZG Svet JSC  
Official office Zumtobel Group in Russia  
Nizhniy Susalnyi pereulok, 5/19, office 405  
105064 Moscow  
T +7 (495) 981 35 41 | F +7 (812) 604 02 60  
info.ru@zumtobelgroup.com  
www.thornlighting.ru

## SERBIA AND MONTENEGRO

ZG Lighting d.o.o.  
Beton hala – Karadordeva 2-4  
11000 Beograd, Serbia  
T +381 (0) 11 65 57 656  
welcome.rs@zumtobel.com  
www.thornlighting.rs

## SINGAPORE

Thorn Lighting (Singapore) Pte Ltd  
158 Kallang Way # 06-01/02  
Singapore 349245  
T +65 6844 5800 | F +65 6745 7707  
info.sg@zumtobelgroup.com

## SLOVAKIA

ZG Lighting Slovakia s.r.o.  
Tomášikova 64  
831 04 Bratislava  
T +421 220 300 044  
welcome@zumtobel.sk  
www.thornlighting.sk

## SLOVENIA

ZG Lighting d.o.o.  
Štukljeva cesta 46,  
1000 Ljubljana, Slovenia  
T +386 1 56 09 820  
si.welcome@zumtobelgroup.com  
www.thornlighting.si

## SOUTH + EAST AFRICA

Thorn Lighting Ltd  
Durhamgate, Spennymoor,  
County Durham, DL16 6HL  
Main Switchboard  
United Kingdom  
T +44 1388 42 00 42  
www.thornlighting.co.uk

## SPAIN

ZG Lighting Iberia, S.L.  
C/ Inocencio Fernández, 81 Bajo  
28035 Madrid (Spain)  
T +34 916 593 076  
info.spain@zumtobelgroup.com  
www.thornlighting.es

## SWEDEN

Thorn Lighting  
Hyllie Boulevard 10b  
215 32 Malmö  
T +46 40 649 20 00 | F +46 418 265 74  
kundeservice.se@zumtobelgroup.com  
www.thornlighting.se

## SWITZERLAND

Thornlight Licht AG  
Thurgauerstrasse 39, 8050 Zürich  
T +41 44 305 35 35 | F +41 44 305 35 36  
info.ch@zumtobelgroup.com  
www.thornlighting.ch

## UNITED ARAB EMIRATES - DUBAI

Thorn Lighting Ltd Dubai  
4B Street, Al Quoz industrial area,  
P.O.Box: 22672, Dubai,  
United Arab Emirates  
T +971 4 294 8938  
marketing.mena@zumtobelgroup.com  
www.thornlighting.ae

## UNITED KINGDOM

ZG Lighting (UK) Limited  
Durhamgate, Spennymoor,  
County Durham, DL16 6HL  
T +44 1388 42 00 42 | F +44 1388 42 01 56  
lightcentreuk@zumtobelgroup.com  
www.thornlighting.co.uk

## VIETNAM

ZG Lighting Singapore Pte. Ltd.  
official representative office  
215 Nam Ky Khai Nghia Street,  
Ward 7, District 3, HCMC  
T +84 8 39320666 | F +84 8 39320111  
nguyenthieu.thao@zumtobelgroup.com  
www.thornlighting.com



5 YEAR  
WARRANTY

As a globally leading luminaire manufacturer, Thorn Lighting provides a five-year warranty for its complete product range within all European Countries.  
THORNLIGHTING.COM/WARRANTY

Thorn Lighting is constantly developing and improving its products. All descriptions, illustrations, drawings and specifications in this publication present only general particulars and shall not form part of any contract. The right is reserved to change specifications without prior notification or public announcement. All goods supplied by the company are supplied subject to the company's General Conditions of Sale, a copy of which is available on request. All measurements are in millimetres and weights in kilograms unless otherwise stated.  
Publication No. 96644330 (INT) Publication Date: 04/18



www.pefc.org PEFC/6-38-214