

High power LED floodlight for area lighting applications

- Excellent control of obtrusive light (Ocd at 90°)
- Flexible optical system optimising light distributions for best in class results
- Compact and low weight for minimal structural costs
- Fully controllable solution enabling instant light and stepped illumination levels

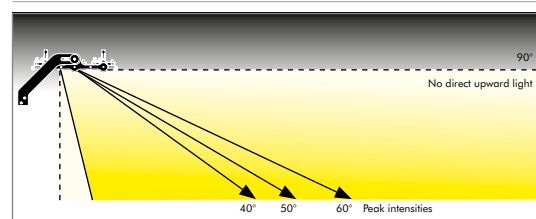
Applications

- High mast area lighting
- Industrial areas
- Loading docks
- Logistic centres
- Airports

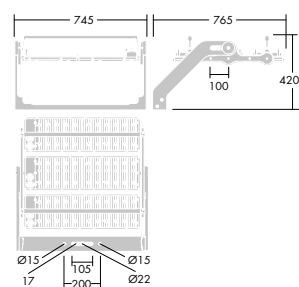
Lamp information

- Lifetime: up to 100 000hrs @L90B10 Ta 25°C
(> 100 000hrs @L90B50)
- Up to 93 000lm
- Up to 115Llm/W
- Colour Temperature: 4000K
- CRI: 70

3 light distributions available



Overview



Weight: Max 26kg
Scx: Max 0,52²

Standards

IP66 IK08 T_a25



Light Source

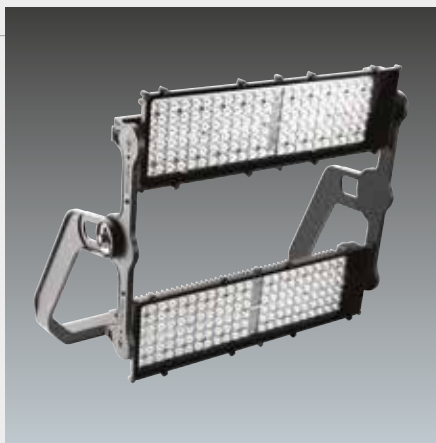
115
Lm/W



Altis Area enables modularity



3 module version
90 000 luminaire lumen output
4000K
CRI: 70



2 module version
60 000 luminaire lumen output
4000K
CRI: 70



Tiltable LED modules
Modules can be independently adjusted
up to 15°

Ordering Guide

Description	SAP Code
ALTIS A 396 LED 4000K	
ALTIS A 396L70 A/CB CL1 L740	96272602
ALTIS A 396L70 A4 CL1 L740	96272666
ALTIS A 396L70 A5 CL1 L740	96272603
ALTIS A 396L70 A6 CL1 L740	96272604
ALTIS A 396L70 A/CB CL1 L740 HT	96272605
ALTIS A 396L70 A4 CL1 L740 HT	96272667
ALTIS A 396L70 A5 CL1 L740 HT	96272606
ALTIS A 396L70 A6 CL1 L740 HT	96272607
ALTIS S 396 LED remote control gear	
GT ALTIS IP21 396L70 CL1	96272610
GB ALTIS IP65 396L70 CL1	96272611
ALTIS A 264 LED 4000K	
ALTIS A 264L70 A/CB CL1 L740	96272668
ALTIS A 264L70 A4 CL1 L740	96272669
ALTIS A 264L70 A5 CL1 L740	96272670
ALTIS A 264L70 A6 CL1 L740	96272671
ALTIS A 264L70 A/CB CL1 L740 HT	96272672
ALTIS A 264L70 A4 CL1 L740 HT	96272673
ALTIS A 264L70 A5 CL1 L740 HT	96272674
ALTIS A 264L70 A6 CL1 L740 HT	96272675
ALTIS S 264 LED Control Gear	
GT ALTIS IP21 264L70 CL1	96272676
GB ALTIS IP65 264L70 CL1	96272677
A	Area version (asymmetrical optics)
A/CB	Asymmetric Counter Beam
A4/A5/A6	Asymmetric 40° / 50° / 60°
HT	High temperature (integral thermal protection Ta 35°C)
GT	Gear Tray (IP21, includes drivers, suitable for use in cabinet)
GB	Gear Box (IP65, includes drivers, suitable for outdoor installation)

Materials/Finish

Body: die-cast aluminium (EN AC-47100), painted dark sandy grey (close to RAL 7043)

Frame and stirrup: die-cast aluminium (EN AC-44100), painted dark sandy grey (close to RAL 7043)

Glass: 5mm toughened, meeting requirements of IEC 60598-2-5

Screws: stainless steel

Installation/Mounting

Suitable for mast mounting. Stirrup fixed by a single bolt through Ø22mm hole or 105x17mm oblong hole, or by twin bolts through Ø15mm holes. Reversible stirrup allows hang down position. Frame fixed to stirrup with M10 Hexagonal screw and M8 set screw. Tiltable LED modules fixed on frame with M8 screws and M5 set screw.

The LED modules are pre-wired with a 1m long cable and connected to a single harness. Electrical connection to the floodlight is done via a single multi-core cable (female connector supplied for quick plug-in connection); gear tray IP21 or gear box IP65 are installed remotely and supplied separately.

Specification

To specify state:

High power LED floodlight for high mast area lighting. The floodlight is installed horizontally to avoid obtrusive light (0cd at 90°) and has tiltable LED modules to optimise lighting designs and minimise number of floodlights in an installation. Compact floodlight (26kg), highly resistant (IP66, IK08), available in 2 versions for excellent optical performance up to Ta 35°C.

As Thorn Altis Area.



5 Year Warranty

As a globally leading luminaire manufacturer, Thorn Lighting provides a five-year warranty for its complete product range within all European Countries.

www.thornlighting.com/ALTA

THORN
LIGHTING PEOPLE